

20' Dry Container



40' Dry Container



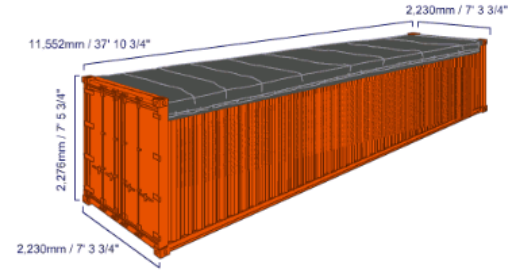
Size feet / inches	Door openings* mm feet / inches		Internal dimensions* mm feet / inches			Weight* kg lb			Volume* m3 cubic feet
	Width	Height	Length	Width	Height	Max. gross	Tare	Max. payload	
20 standard 20' x 8' x 8'6"	2,339 7' 8 1/16"	2,274 7' 5 1/2"	5,896 19' 4 1/8"	2,350 7' 8 1/2"	2,393 7' 10 3/16"	30,480 67,200	2,280 5,030	28,200 62,170	33 1,165
40 standard 40' x 8' x 8'6"	2,340 7' 8 1/8"	2,274 7' 5 1/2"	12,032 39' 5 11/16"	2,350 7' 8 1/2"	2,393 7' 10 3/16"	32,500 71,650	3,700 8,157	28,800 63,493	67 2,366
40 high 40' x 8' x 9'6"	2,340 7' 8 1/8"	2,577 8' 5 7/16"	12,032 39' 5 11/16"	2,350 7' 8 1/2"	2,697 8' 10 1/8"	32,500 71,650	3,880 8,554	28,620 63,100	76 2,684
45 high 45' x 8' x 9'6"	2,340 7' 8 1"	2,585 8' 5 12"	13,556 44' 5 11"	2,352 7' 8 9"	2,698 8' 10 3"	32,500 71,650	4,900 10,803	27,600 60,848	85 3,036

*Dimensions vary within container series. For dimension of specific units, please contact the company.

20' Open Top Container



40' Open Top Container



Size feet / inches	Internal dimensions* mm feet / inches			Door openings* mm feet / inches		Top opening* mm feet / inches		Weight* kg lb		
	Length	Width	Height	Width	Height	Length	Width	Max. gross	Tare	Max. payload
20 open top 20' x 8' x 8'6"	5,919 19' 5"	2,346 7' 8 5/16"	2,286 7' 6"	2,286 7'6"	2,253 7' 4 11/16"	5,490 18' 1/16"	2,223 7' 3 1/2"	30,480 67,196	2,280 5,027	28,000 61,728
40 open top 40' x 8' x 8'6"	12,192 40'	2,338 7' 8"	2,289 7' 6 1/16"	2,289 7' 6 1/16"	2,253 7' 4 11/16"	11,810 38' 8 25/26"	2,223 7' 3 1/2"	32,700 72,090	4,000 8,818	28,700 63,272
40 open top high 40' x 8' x 9'6"	12,192 40'	2,348 7' 8 3/8"	2,653 8' 8 4/9"	2,388 7' 8"	2,580 8' 5 9/12"	11,810 38' 8 25/26"	2,223 7' 3 1/2"	30,480 67,196	4,000 8,818	26,480 58,377

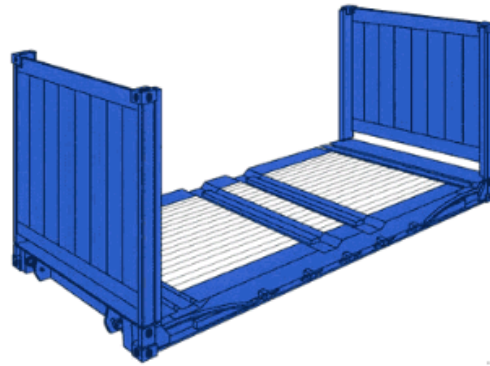
*Dimensions vary within container series. For dimension of specific units, please contact the company.



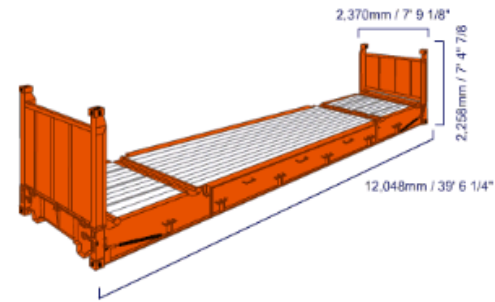
Size feet / inches	Door openings* mm feet / inches		Internal dimensions* mm feet / inches			Weight* kg lb			Volume* m3 cubic feet
	Width	Height	Length	Width	Height	Max. gross	Tare	Max. payload	
20 standard 20' x 8' x 8'6"	2,290 7' 6 1/8"	2,212 7' 3 1/16"	5,451 17' 10 9/16"	2,290 7' 6 1/8"	2,167 7' 1 5/16"	30,480 67,200	2,990 6,591	27,490 60,600	27 953
40 Standard 40' x 8' x 8'6"	2,286 7'6"	2,238 7'4 1/16"	11,577 37'11 3/4"	2,294 7'6 1/4"	2,210 7'3"	34,000 74,950	4,600 10,140	29,400 64,820	60 2,120
40 high cube 40' x 8' x 8'6"	2,276 7' 5 9/16"	2,471 8' 1 1/14"	11,580 37' 11 7/8"	2,275 7' 11 1/6"	2,415 7' 11 1/6"	34,000 74,957	4,520 9,965	29,480 64,992	67.5 2,384
40 high Starfresh 40' x 8' x 9'6"	2,278 7' 5 11/16"	2,473 8' 1 5/16"	11,578 37' 11 13/16"	2,280 7' 5 3/4"	2,425 7' 11 7/16"	34,000 74,957	4,600 10,140	29,400 64,992	64 2,261
40 high Starfresh Plus 40' x 8' x 9'6"	2,278 7' 5 11/16"	2,473 8' 1 5/16"	11,578 37' 11 13/16"	2,280 7' 5 3/4"	2,425 7' 11 7/16"	33,000 72,753	4,800 10,582	28,200 62,170	64 2,261
40 Magnum 40' x 8' x 9'6"	2,276 7' 5 9/16"	2,471 8' 1 1/4"	11,578 37' 11 13/16"	2,280 7' 5 3/4"	2,450 8' 10 7/16"	34,000 74,957	4,620 10,185	29,380 64,772	64 2,261
40 high StarVent 40' x 8' x 9'6"	2,276 7' 5 9/16"	2,496 8' 2 1/4"	11,578 37' 11 13/16"	2,268 7' 5 1/4"	2,426 7' 11 1/2"	34,000 74,957	4,350 9,590	29,650 65,370	63 2,225
40 high Super Freezer 40' x 8' x 9'6"	2,278 7' 5 11/16"	2,473 8' 1 5/16"	11,578 37' 11 13/16"	2,188 7' 2 1/8"	2,380 7' 9 11/16"	34,000 74,957	4,710 10,384	29,290 64,573	60.3 2,129

*Dimensions vary within container series. For dimension of specific units, please contact the company.

20' Flat Rack Container



40' Flat Rack Container



Size feet / inches	Internal dimensions* mm feet / inches			Length between* mm feet / inches	Weight* kg lb		
	Length	Width	Height		Max. gross	Tare	Max. payload
20 fixed 20' x 8' x 8'	6058 20'	2438 8'	2438 8'		34,000 74,956	2,750 6,060	21,670 47,773
40 fixed corner FR 40' x 8' x 8'6"	12,192 40'	2,438 8'	1,940 6' 4 3/8"	2,114 6' 11 3/16"	40,000 88,183	5,500 12,125	34,500 76,058
40 flush fold FR 40' x 8' x 8'6"	12,192 40'	2,438 8'	1,940 6' 4 3/8"	2,224 7' 3 1/2"	40,000 88,183	5,500 12,125	34,500 76,058
40 high 40' x 8' x 9'6"	12,192 40'	2,438 8'	2,260 7' 4 29/30"	2,224 7' 3 1/2"	52,500 111,741	5,300 11,684	47,200 104,056

*Dimensions vary within container series. For dimension of specific units, please contact the company.